

The birthplace of LEON technology



Prof. Anders Palmqvist
Vice President of Research and
Sustainable Development at
Chalmers University of Technology



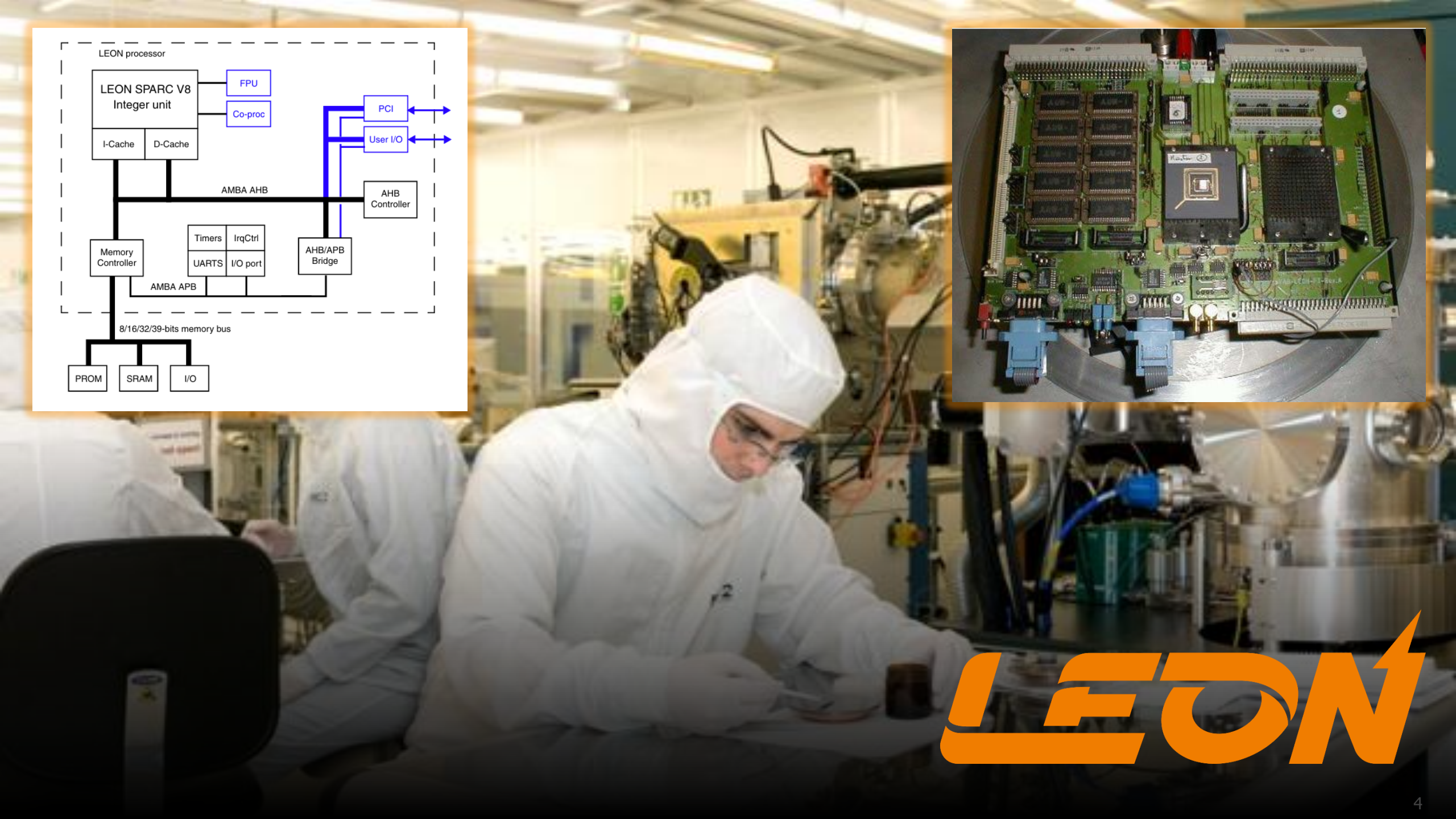
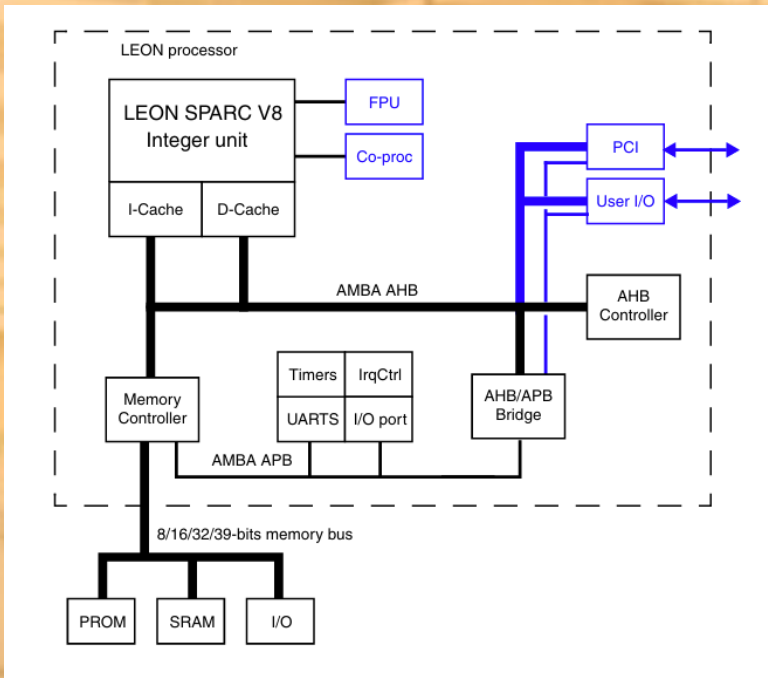
Professor Jan Torin



→ THE EUROPEAN SPACE AGENCY



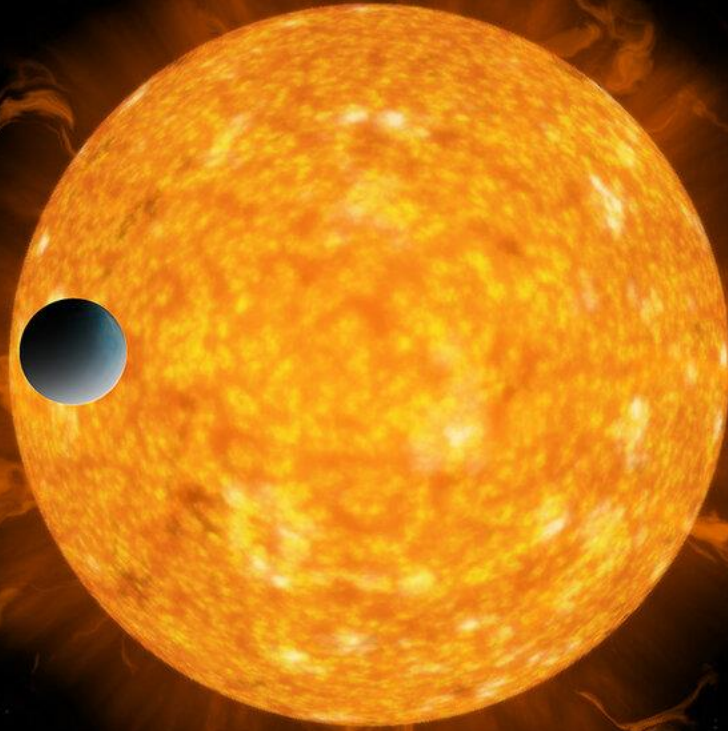
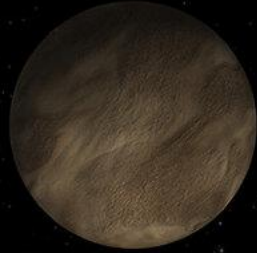
Jiri Gaisler



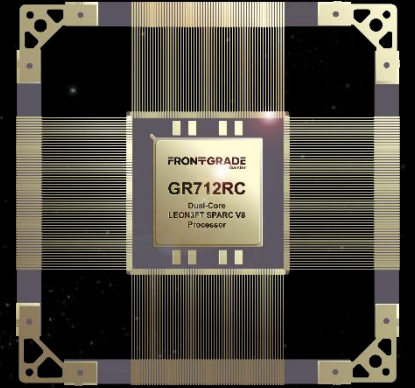
LEON



Prof Carina Persson



FRONTGRADE
Gaisler





Gaisler Academy
FRONTGRADE

Collaborations between Chalmers and Gaisler over the years

- Original LEON development in 1997
- Lectures - *Digital konstruktion*
- Master Thesis Students
- PhD Student – SNSA funding
- Development Contract – EU and Vinnova funding
- Rymdveckan 2019, CHARM Space Capsule 2021
- Chalmers-Lund Advanced Semiconductor System Design Center (classIC)

The **Gaisler Academy** is focusing on **RISC-V** education and developments

- Provides value to Chalmers for education and research, and attracts talent to Gaisler
- Collaborate on computer architecture courses and project work based on RISC-V architectures
 - Gaisler provides lectures on microprocessor architectures and fault-tolerance for space
 - Gaisler provides laboratory exercises (e.g.) supply IP core, hardware, software tools etc.)
 - Gaisler facilitates radiation testing for students, providing mentorship and supervision
 - Gaisler offers internships, thesis work, PhD collaboration

RYMD FORUM 2021

10:10 — 12:10
Göteborg

FRONTGRADE

Gaisler

CHALMERS





Space West

CHALMERS
NEXT LABS

FRONTGRADE
Gaisler



NextSpace 2026

Accelerating commercial space services in Sweden

21 October 2026

Clarion Hotel Post, Gothenburg



CHALMERS